



Convection and forced-air combined in a single unit

Extreme power, perfect comfort! Made available following years of research, these bathroom heating units are extremely quiet. What's more, they are endowed with a powerful fan allowing them to double the capacity of their heating element in a trice.

{features}

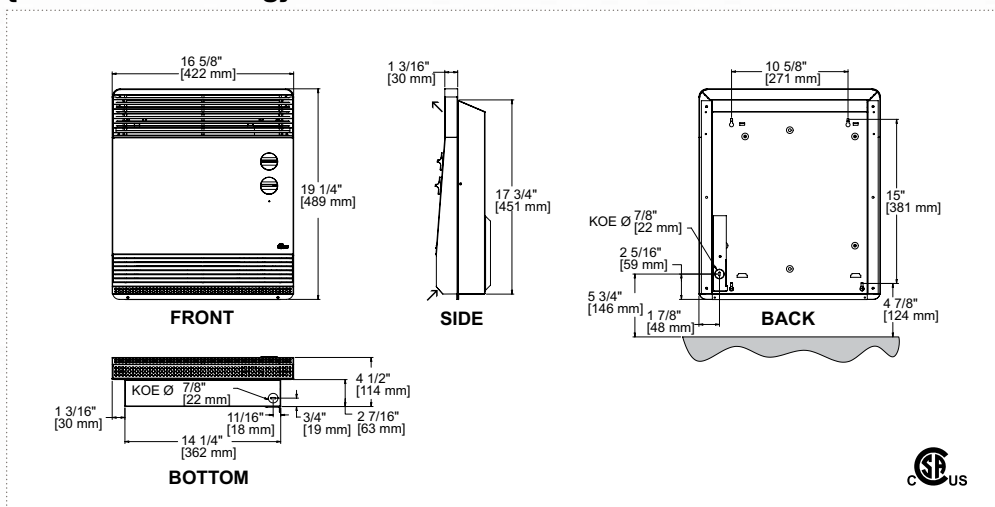
color	white (W), almond (A) or stainless steel (SS)
finish	coated with an ultra-resistant and easy-to-clean polyurethane powdercoat
manufacturing	20-gauge steel cabinet
wattage & voltage	see the selection table
element	<ul style="list-style-type: none"> • nichrome element producing instant heat • ensuring instantaneous and very economical heating
control	<ul style="list-style-type: none"> • built-in thermostat for regular 750 W heating (included) • 60-minute built-in timer for rapid 2000 W heating (included)
installation	<ul style="list-style-type: none"> • surface mounted • recessed into the wall (opening: 14 3/4 x 18 1/4 in.) • wall-mounted at least 4 in. from the floor
warranty	<ul style="list-style-type: none"> • 10 years (element) • 1 year (unit)

{selection table}

product code	convection	forced-air	voltage	height		width		weight	
	watts	watts	volts	mm	in.	mm	in.	kg	lb
SILVC2060	750/560	2000/1500	240/208	489	19 1/4	422	16 5/8	11.2	24.5

add **W** for white, **A** for almond or **SS** for stainless steel

{technical drawing}



zero decibel!
convection heating mode

built-in thermostat
for a convection heating of 750 W

timer
60-minute built-in timer activates a forced-air heating of 2000 W

