

The SIL2030, a tough act to follow

Inspired in design by our *Silhouette* electronic convector series, this sleek little heater really packs a punch. Being the smallest in its class has helped to make it the leader, offering discreet forced-air heating in 1000 and 2000 watts.

Designed with versatility in mind, the **SIL2030** can be recessed into the wall or surface mounted onto the wall. It comes equipped with a built-in thermostat and a 30-minute timer, producing 1000 watts when operated by the thermostat and 2000 watts when in timer mode. Taking a shower or a bath? Start-up the timer to increase your comfort.

now available > stainless steel finish



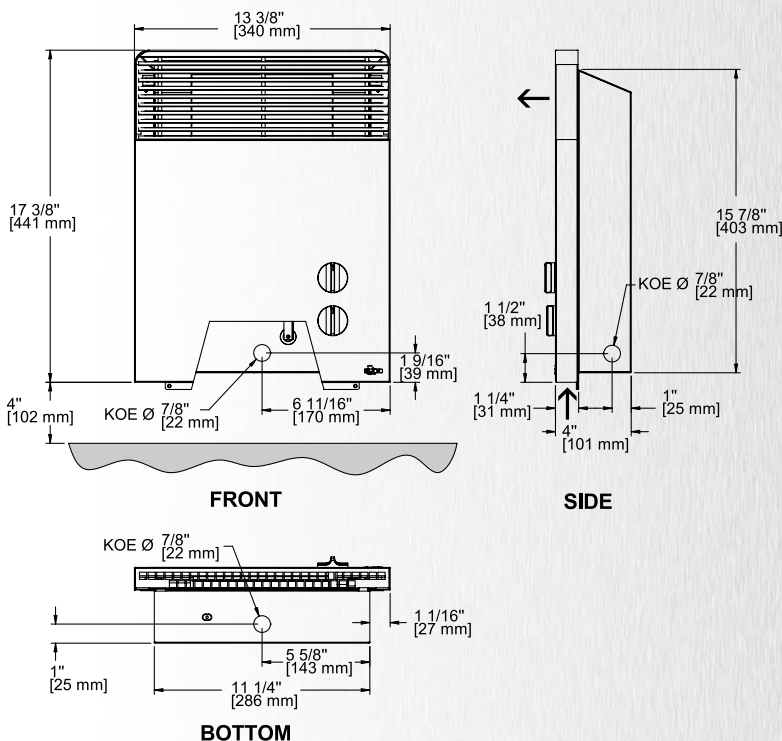
(W) White (A) Almond (SS) Stainless steel

Selection table

Type	watts	volts	height		width		kg	lb
			mm	in.	mm	in.		
SIL2030	1000/2000	240	441	17 3/8	348	13 11/16	4.9	12.1

Add **W** for white, **A** for almond or **SS** for stainless steel.

Technical drawings



Features



Colour
White, almond or stainless steel

Finish
Epoxy-polyester powdercoat

- Manufacturing**
- Centrifugal fan ensures a quiet and efficient airflow.
 - Thermal protection with automatic reset.
 - Bottom air intake and front air discharge.
 - Safe rounded corners.

Wattage

- 1000/2000 W at 240 V, single phase
- 750/1500 W at 208 V, single phase

Voltage
See the selection table.

Element
Element producing instant heat.

- Control**
- Built-in thermostat for regular heat mode (1000 W).
 - 30-minute built-in timer for rapid heat mode (2000 W).

Installation

- Recessed or surface mounted
- Wall-mounted at least 4 in. from the floor

Warranty

- 10 years (element)
- 1 year (unit)