

Convection and forced-air combined in a single unit

Extreme power, perfect comfort!
 Made available following years of research, these bathroom heating units are extremely quiet.
 What's more, they are available with a powerful fan allowing them to double the capacity of their heating element in no time at all.

They are controlled with two buttons: the first is used to control natural convection and the second, to control the fan.
 Nothing can be easier.



{features}

color	white (W), almond (A) or stainless steel (SS)
finish	coated with an ultra-resistant and easy-to-clean polyurethane powdercoat
manufacturing	20-gauge steel cabinet
wattage & voltage	see the selection table
element	<ul style="list-style-type: none"> · nichrome element producing instant heat · ensuring instantaneous and economical heating
control	<ul style="list-style-type: none"> · built-in thermostat for regular 500 W heating (included) · 60-minute built-in timer for rapid 1500 W heating (included)
installation	<ul style="list-style-type: none"> · surface mounted · recessed into the wall (opening: 11 1/4 x 18 1/4 in.) · wall-mounted at least 4 in. from the floor
warranty	<ul style="list-style-type: none"> · 10 years (element) · 1 year (unit)

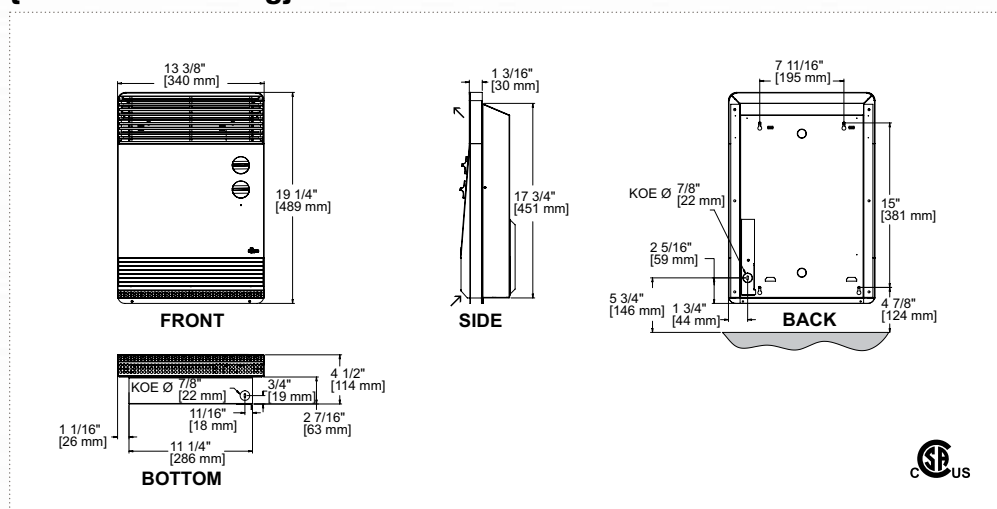
SILVC1560

{selection table}

product	convection	forced-air	voltage	height	width	weight			
code	watts	watts	volts	mm	in.	mm	in.	kg	lb
SILVC1560	500/375	1500/1125	240/208	489	19 1/4	340	13 3/8	8.2	18

add W for white, A for almond or SS for stainless steel

{technical drawing}



zero decibel!
 convection heating mode

built-in thermostat
 for a convection heating of 500 W

timer
 60-minute built-in timer activates a forced-air heating of 1500 W

